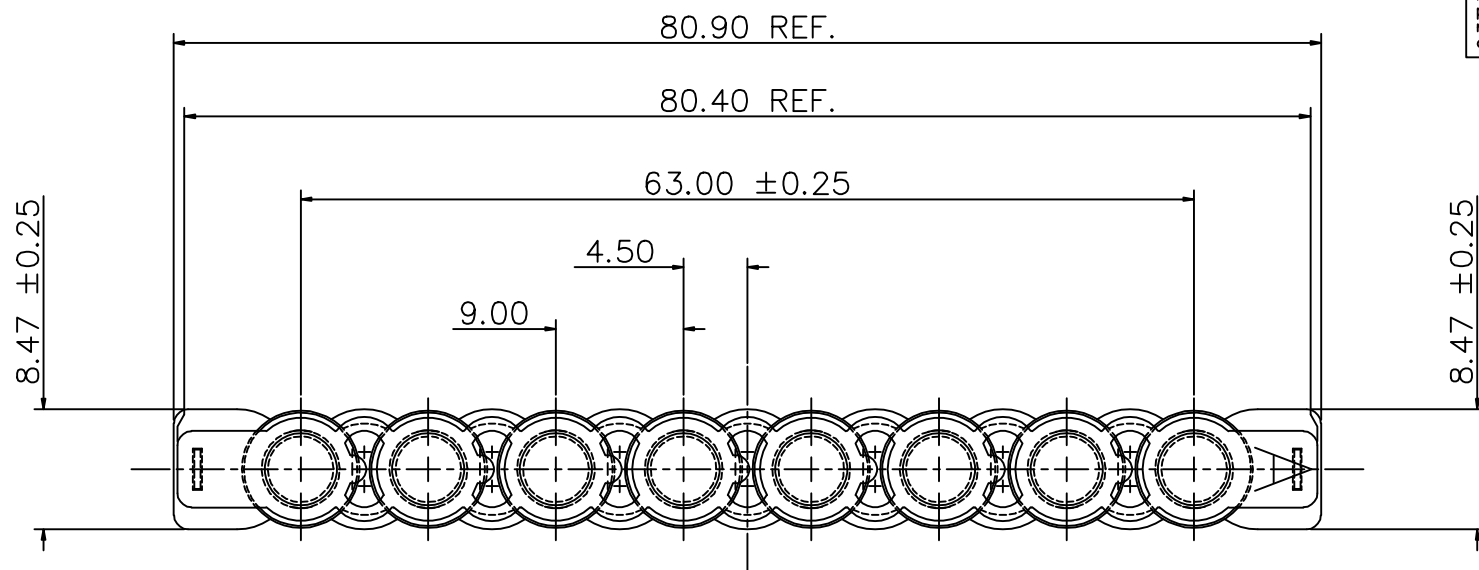
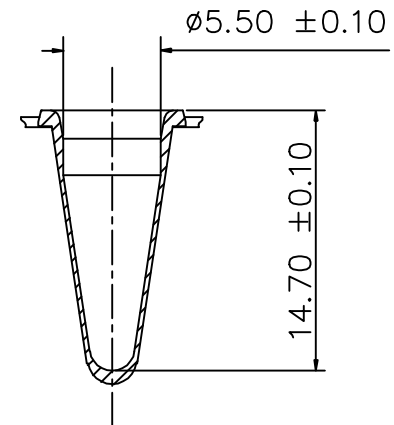
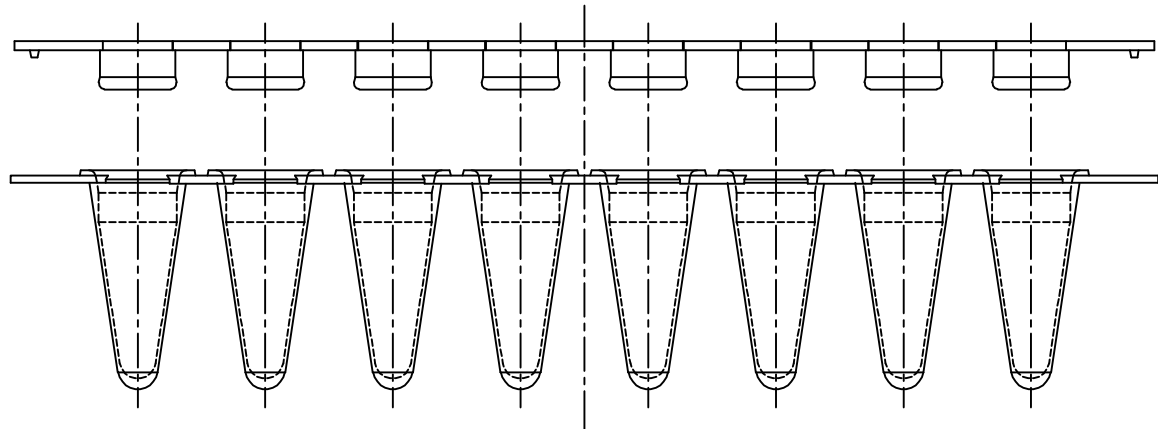
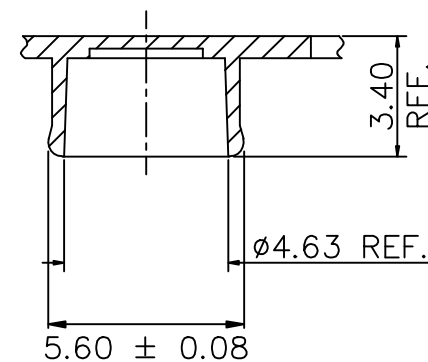


NOT TO SCALE

Copyright Thermo Fisher Scientific  
This drawing and/or any technical information relating to it is issued in strict confidence and may not be reproduced or used for manufacture without written permission. Upon receipt of which it is the users responsibility to seek confirmation of any dimensions and production tolerances.



CAP DETAIL 8pos



VIAL FORM 8pos

Pub No. MAN0014450

All dimensions in mm

TITLE		
Strip of 8 Low Profile Tubes and Ultra Clear Caps (short version)		
DRG. NO.	ISSUE	DATE
AB-1770	B	9/5/14